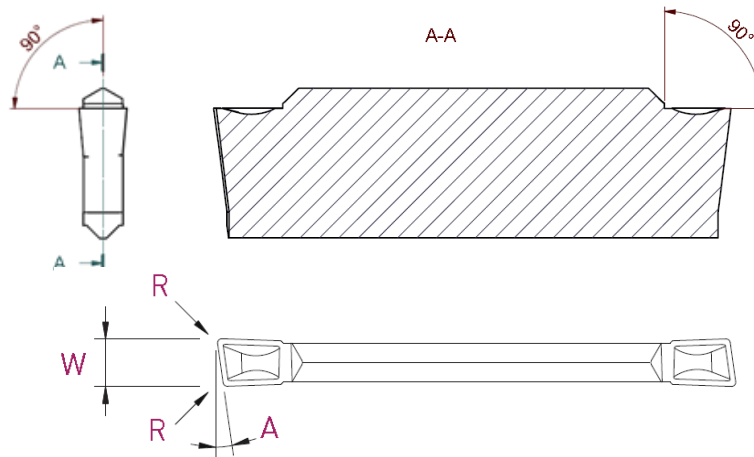
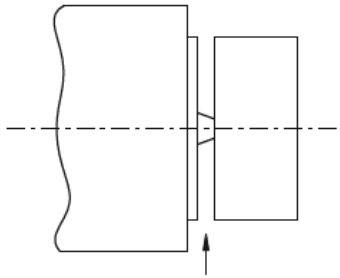




CUT-Line

Geométrie PNW / PRW



The solution in brass with difficult machinability!

New geometry PNW / PRW with sharp cutting edge by APPLITEC!



Type	W	A	R	Art. N°	Z
CUT16	1.6	8°	0.10	CUT16-PRW-801-N	▪
CUT22	2.2	0°	0.20	CUT22-PNW-002-N	▪
CUT22	2.2	8°	0.20	CUT22-PRW-802-N	▪
CUT31	3.1	0°	0.20	CUT31-PNW-002-N	▪
CUT31	3.1	8°	0.20	CUT31-PRW-802-N	▪

